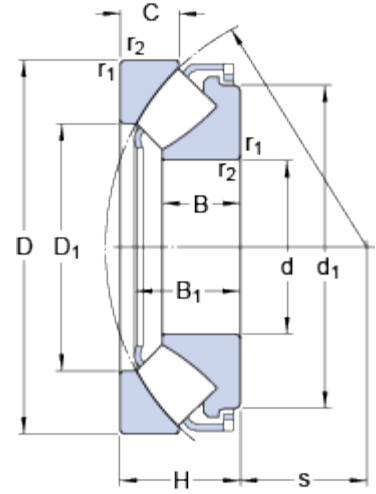


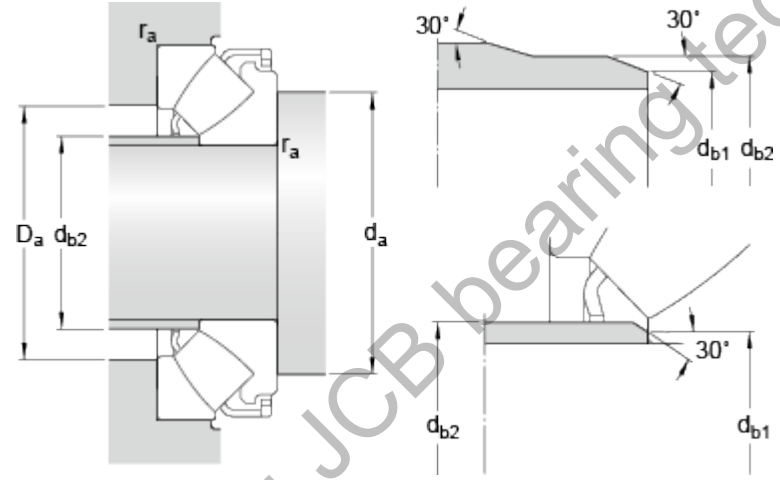
▶
29418

Dimensions



d	90	mm
D	190	mm
H	60	mm
d ₁	≈ 164	mm
D ₁	≈ 128	mm
B	39	mm
B ₁	54	mm
C	28.5	mm
s	56	mm
r _{1,2}	min. 2.1	mm

Abutment dimensions



d _a	min. 135	mm
d _{b1}	max. 99	mm
d _{b2}	max. 99	mm
D _a	max. 158	mm
r _a	max. 2	mm

Calculation data

Basic dynamic load rating	C	815	kN
Basic static load rating	C ₀	2000	kN
Fatigue load limit	P _u	232	kN
Reference speed		1900	r/min
Limiting speed		3400	r/min
Minimum axial load factor	A	0.38	

Mass

Mass bearing	7.75	kg
--------------	------	----